



RFID Reader Components

HF, UHF and Microwave

WJ's semiconductor products are ideally suited for the challenging world of RFID readers. The combination of high dynamic range and rugged reliability make them ideal for demanding RFID homodyne requirements. Their versatility and ease of use allow them to form the core of any ANSI, ETSI, ISO or EPC compliant reader. They feature low cost, small size and robust performance over the HF, UHF and microwave frequency bands. Their small size also makes them ideal for PCMCIA applications.

Data sheets and other information can be found on the WJ web site (www.wj.com).

RFID Reader Components Feature:

- Low-Cost
- Small Size
- Compatible with ISO Standards
- Compatible with EPC Standards
- Package styles: SOT-363, SOT-86, SOT-89, SOIC-8 with heat slug and 6x6 mm 28-pin QFN



RFID Frequency Bands

Product	13.56 MHz	433 MHz	900 MHz	2400 MHz
AG201				
AG202 AG403				
AG203 AG503				
AG302 AG602	X	X	X	X
AG303 AG603				
AG402 AG604				
AH1 AH101				
AH3 AH102				
AH31 AH110		X	X	X
AM1 AH116				
AH201 AH118				
AH312 AH215				
FH1				
FP1189 FH101	X	X	X	X
FP31QF FP2189				
MH101				
MH102 MH203		X	X	X



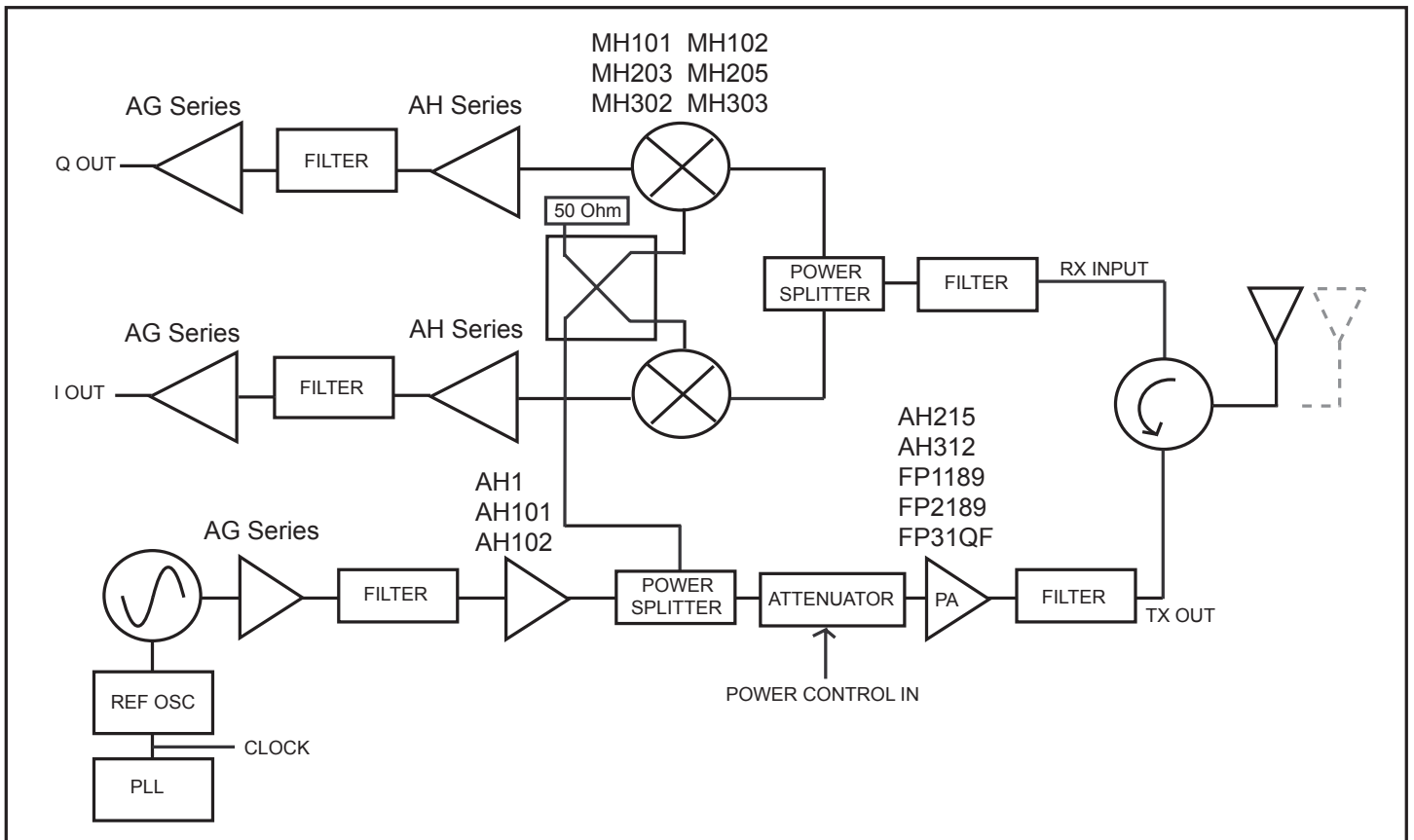
RFID Reader Components

Applications:

- HF, UHF and Microwave
- Industrial
- Portable
- Handheld

Data sheets and other information can be found on the WJ web site (www.wj.com).

For more information please contact us directly at sales@wj.com or our worldwide distributor, Richardson Electronics (rwec@rell.com).



Typical RFID Reader Application Block Diagram